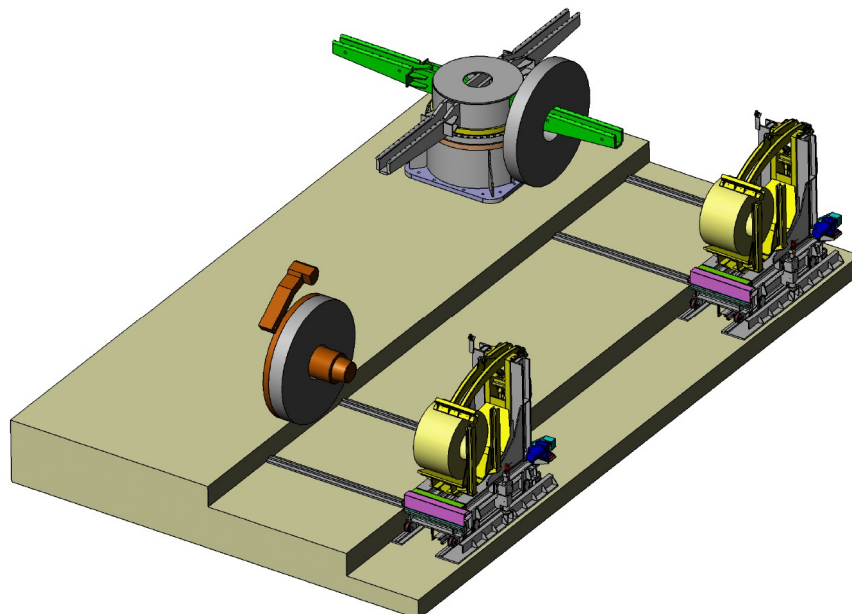


Machinery Division

Coil Storage, Transport and Loading Systems

Coil Loading Car

Max Load permitted	15 Tons
Max Coil Diameter	2200 mm
Min Coil Diameter	1000 mm
Layout to be defined	Automatic, hands-free operation
Built according to CE standards	



Machinery Division
Coil Storage, Transport and Loading Systems

Overhead Coil Loader

Max Load permitted	15 Tons
Max Coil Diameter	2200 mm
Min Coil Diameter	1000 mm
Layout to be defined	Automatic, hands-free operation
Built according to CE standards	

