

MAZZOLA ENGINEERING

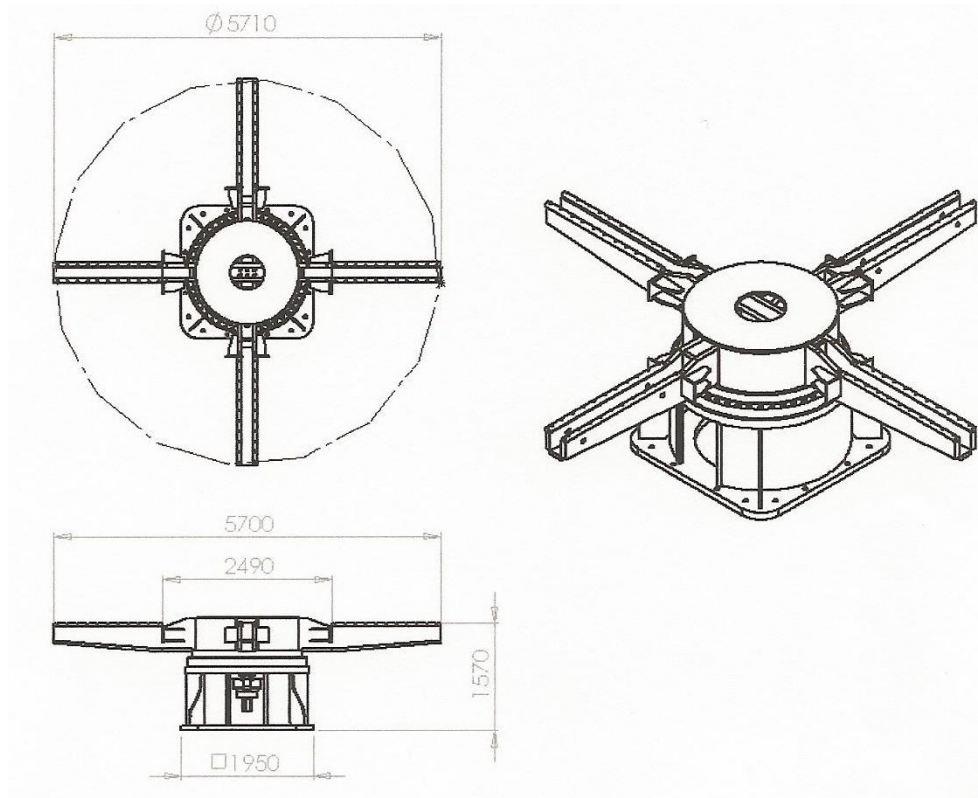
Mechanical Engineers & Consultants since 1976

Machinery Division

Coil Storage, Transport and Loading Systems

Coil Storage Turnstile

Max Load permitted on each Beam	30 Tons
Total Coil Storage Capacity	120 Tons
Max Beam Length	1500 mm
Approx. Machine Weight	12 Tons
Built according to CE standards	



MAZZOLA ENGINEERING SA - CH-6537 Grono/Switzerland
Phone & Fax: +4191-827-1414